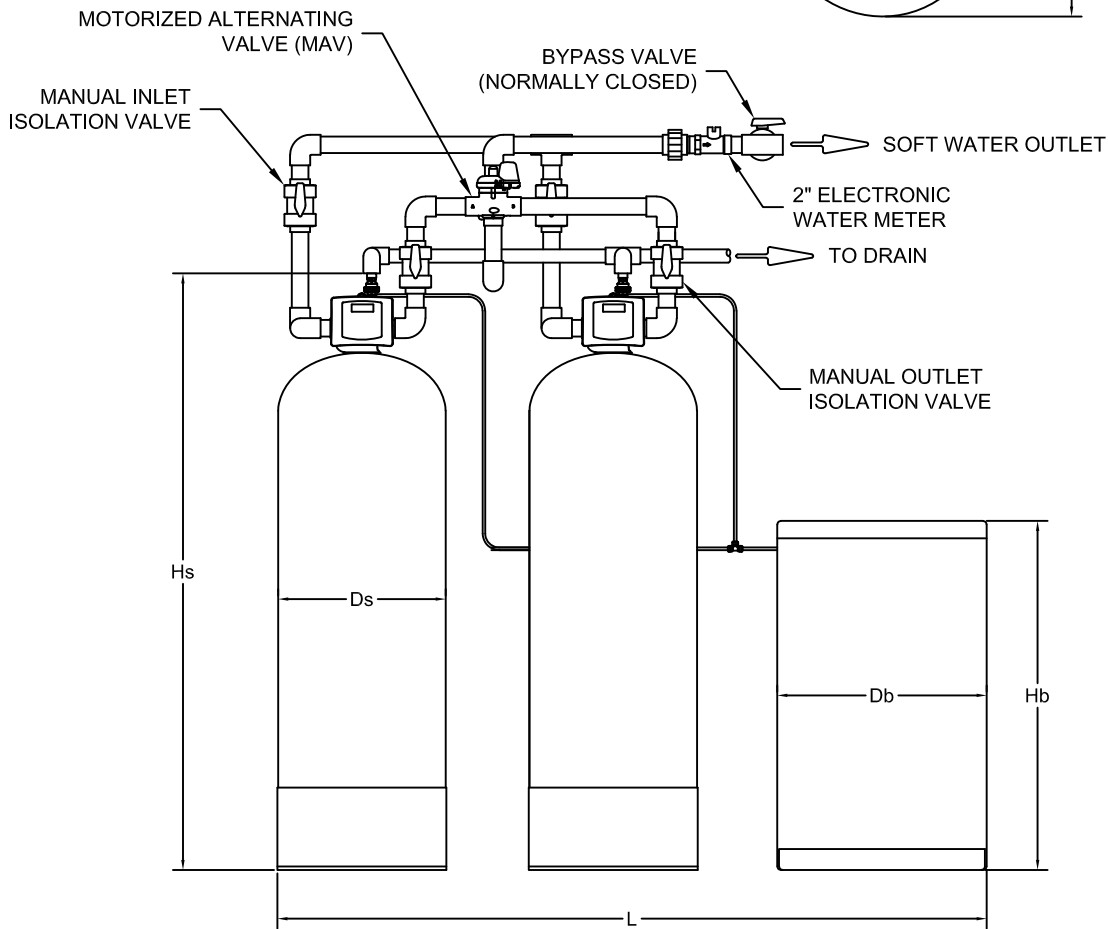
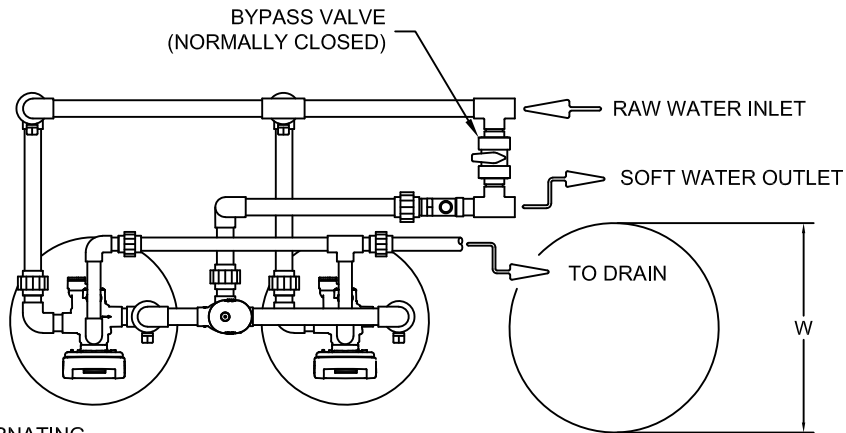


MODEL NO.	L	W	Ds	Hs	Db	Hb
C43-0090-20	38	24	14	80	24	41
C43-0120-20	46	24	16	80	24	41
C43-0150-20	48	24	18	82	24	50
C43-0180-20	51	24	21	82	24	50
C43-0210-20	51	24	21	82	24	50
C43-0240-20	54	24	24	89	24	50
C43-0270-20	54	24	24	89	24	50
C43-0300-20	60	30	24	89	30	50
C43-0450-20	66	30	30	101	30	50
C43-0600-20	81	39	36	104	39	48
C43-0750-20	87	42	39	103	39	60
C43-0900-20	90	42	42	103	42	60
C43-1050-20	104	50	48	101	50	60
C43-1200-20	104	50	48	101	50	60

NOTES:

- 1) VALVE INLET AND OUTLET CONNECTIONS ARE 2" NPTF.
- 2) VALVE DRAIN CONNECTION IS 1-1/2" NPTF.
- 3) PIPE AND FITTINGS ARE NOT FURNISHED.
- 4) IT IS RECOMMENDED THAT FLEXIBLE CONNECTORS BE INSTALLED BETWEEN HARD PIPING AND VALVE INLET AND OUTLET CONNECTIONS.
- 5) THE TANK MANUFACTURER RESERVES THE RIGHT TO INVALIDATE THE TANK WARRANTY IF FLEXIBLE CONNECTORS ARE NOT INSTALLED PER NOTE 4.


SCALE	NTS	LAYOUT DRAWING C43 SERIES - 2" SINGLE
DATE	04-14-15	
DRAWN	GAMatusin	
CHKD	GAM	
APPD.	GAM	
DRAWING NO.		
SHEET 1 OF 1		REV.

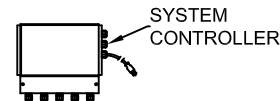
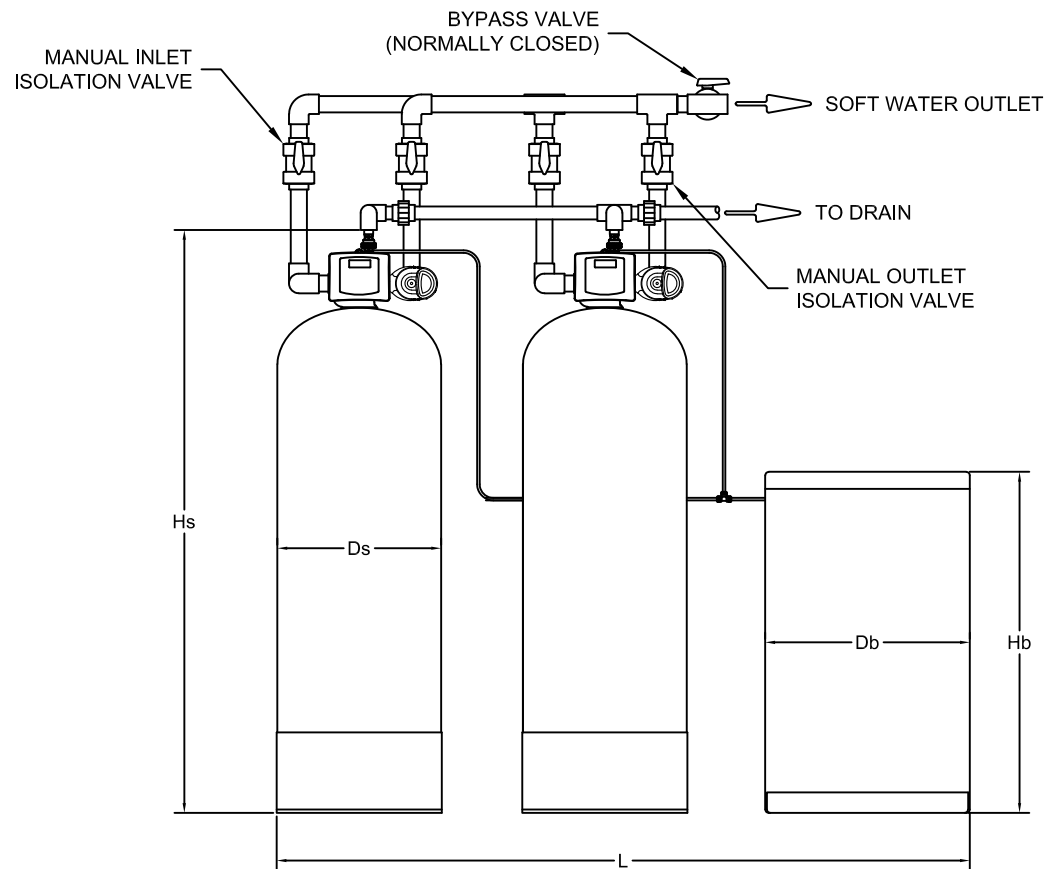
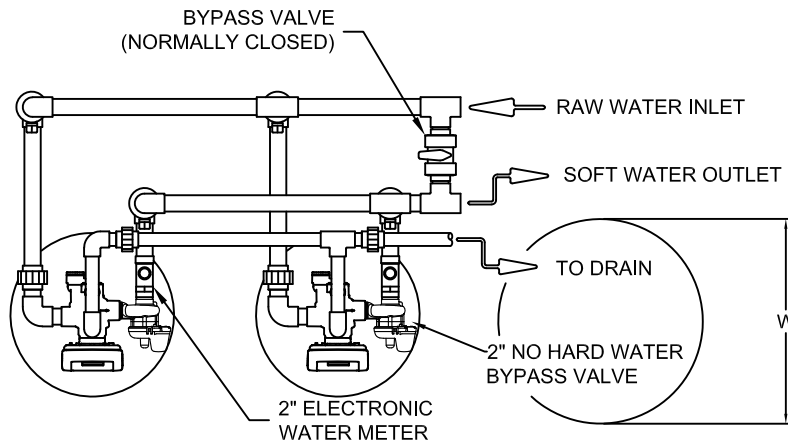


MODEL NO.	L	W	Ds	Hs	Db	Hb
C43-0090-20	55	24	14	80	24	41
C43-0120-20	65	24	16	80	24	41
C43-0150-20	69	24	18	82	24	50
C43-0180-20	75	24	21	82	24	50
C43-0210-20	75	24	21	82	24	50
C43-0240-20	81	24	24	89	24	50
C43-0270-20	81	24	24	89	24	50
C43-0300-20	90	30	24	89	30	50
C43-0450-20	99	30	30	101	30	50
C43-0600-20	120	39	36	104	39	48
C43-0750-20	132	42	39	103	39	60
C43-0900-20	135	42	42	103	42	60
C43-1050-20	155	50	48	101	50	60
C43-1200-20	155	50	48	101	50	60

NOTES:

- 1) VALVE INLET AND OUTLET CONNECTIONS ARE 2" NPTF.
- 2) VALVE DRAIN CONNECTION IS 2" NPTF.
- 3) PIPE AND FITTINGS ARE NOT FURNISHED.
- 4) IT IS RECOMMENDED THAT FLEXIBLE CONNECTORS BE INSTALLED BETWEEN HARD PIPING AND VALVE INLET AND OUTLET CONNECTIONS.
- 5) THE TANK MANUFACTURER RESERVES THE RIGHT TO INVALIDATE THE TANK WARRANTY IF FLEXIBLE CONNECTORS ARE NOT INSTALLED PER NOTE 4.

SCALE	NTS	LAYOUT DRAWING C43 SERIES - DUPLEX ALTERNATING	
DATE	04-14-15		
DRAWN	GAMatusin		
CHKD	GAM		
APPD.	GAM		
DRAWING NO. C43 2" DUPLEX ALTERNATING			
		SHEET 1 OF 1	

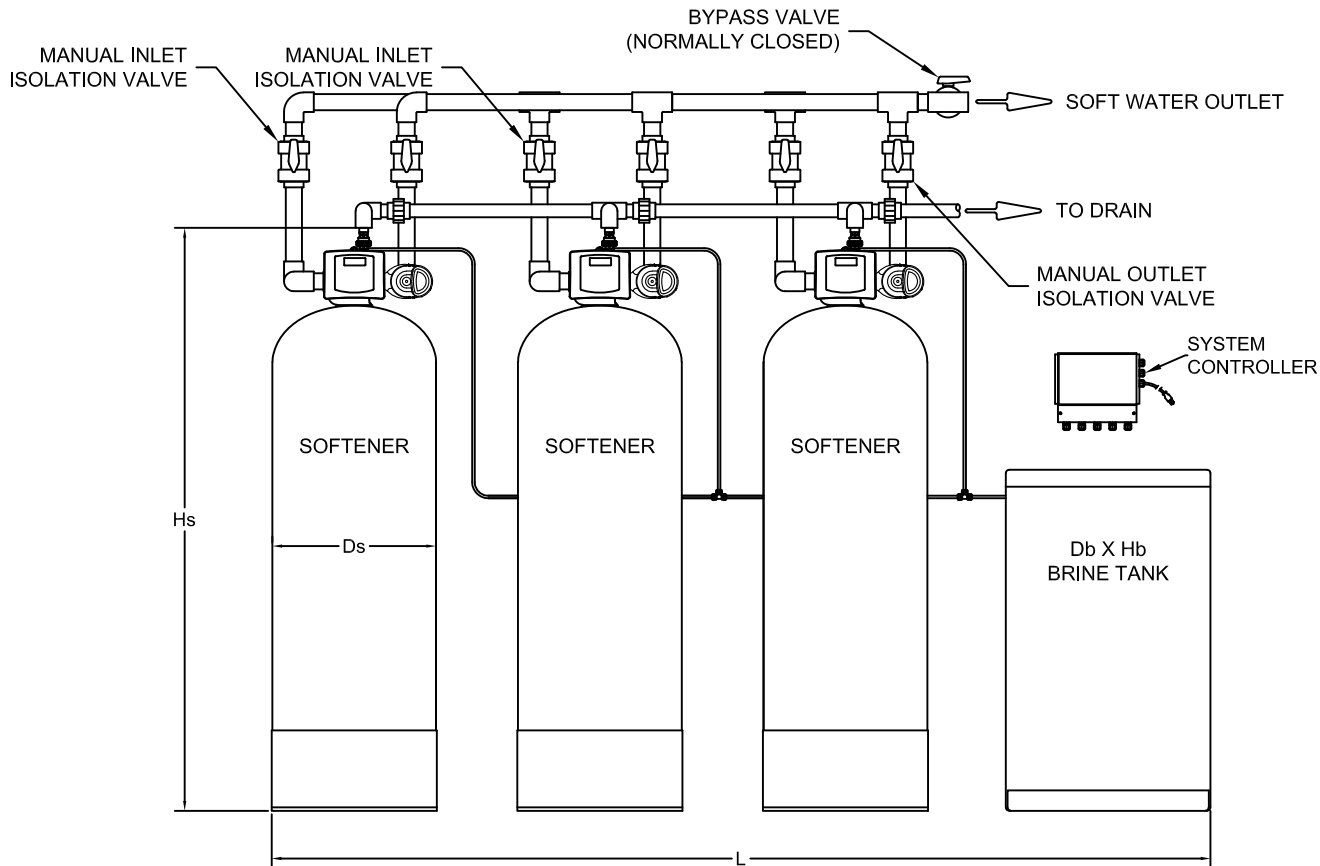
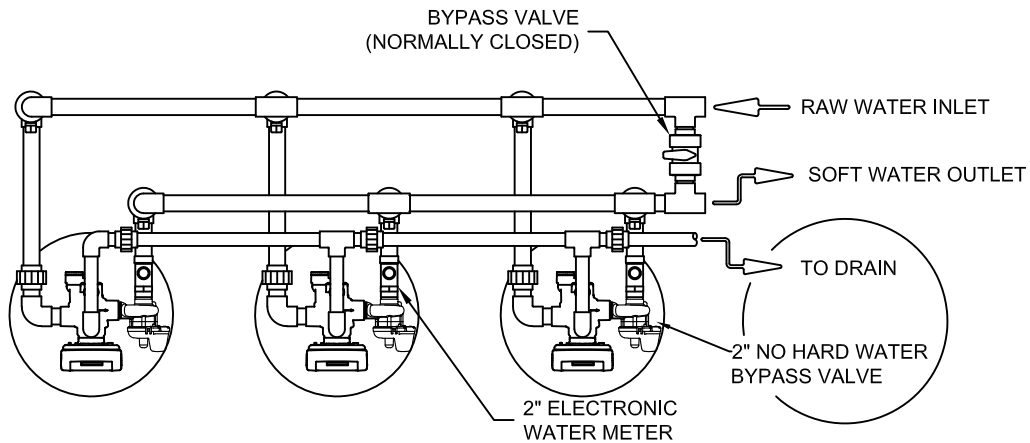


NOTES:

- 1) VALVE INLET AND OUTLET CONNECTIONS ARE 2" NPTF.
- 2) VALVE DRAIN CONNECTION IS 2" NPTF.
- 3) PIPE AND FITTINGS ARE NOT FURNISHED.
- 4) IT IS RECOMMENDED THAT FLEXIBLE CONNECTORS BE INSTALLED BETWEEN HARD PIPING AND VALVE INLET AND OUTLET CONNECTIONS.
- 5) THE TANK MANUFACTURER RESERVES THE RIGHT TO INVALIDATE THE TANK WARRANTY IF FLEXIBLE CONNECTORS ARE NOT INSTALLED PER NOTE 4.

MODEL NO.	L	W	Ds	Hs	Db	Hb
C43-0090-20	55	24	14	80	24	41
C43-0120-20	65	24	16	80	24	41
C43-0150-20	69	24	18	82	24	50
C43-0180-20	75	24	21	82	24	50
C43-0210-20	75	24	21	82	24	50
C43-0240-20	81	24	24	89	24	50
C43-0270-20	81	24	24	89	24	50
C43-0300-20	81	30	24	89	30	50
C43-0450-20	99	30	30	101	30	50
C43-0600-20	120	39	36	104	39	48
C43-0750-20	132	39	39	103	39	60
C43-0900-20	135	42	42	103	42	60
C43-1050-20	155	50	48	101	50	60
C43-1200-20	155	50	48	101	50	60

SCALE	NTS	LAYOUT DRAWING C43 SERIES - DUPLEX DEMAND RECALL
DATE	04-14-15	
DRAWN	GAMatusin	
CHK'D	GAM	
APP'D.	GAM	
DRAWING NO. C43 2" DUPLEX DEMAND RECALL		
SHEET 1 OF 1		REV. 1



MODEL NO.	L	W	Ds	Hs	Db	Hb
C43-0090-20	72	18	14	74	18	40
C43-0120-20	84	24	16	74	24	41
C43-0150-20	90	24	18	76	24	50
C43-0180-20	99	24	21	76	24	50
C43-0210-20	99	24	21	82	24	50
C43-0240-20	108	24	24	89	24	50
C43-0270-20	108	24	24	89	24	50
C43-0300-20	120	30	24	89	30	50
C43-0450-20	132	30	30	101	30	50
C43-0600-20	159	39	36	104	39	48
C43-0750-20	177	42	39	103	39	60
C43-0900-20	177	42	42	103	42	60
C43-1050-20	206	50	48	101	50	60
C43-1200-20	206	50	48	101	50	60

NOTES:

- 1) VALVE INLET AND OUTLET CONNECTIONS ARE 2" NPTF.
- 2) VALVE DRAIN CONNECTION IS 2" NPTF.
- 3) PIPE AND FITTINGS ARE NOT FURNISHED.
- 4) IT IS RECOMMENDED THAT FLEXIBLE CONNECTORS BE INSTALLED BETWEEN HARD PIPING AND VALVE INLET AND OUTLET CONNECTIONS.
- 5) THE TANK MANUFACTURER RESERVES THE RIGHT TO INVALIDATE THE TANK WARRANTY IF FLEXIBLE CONNECTORS ARE NOT INSTALLED PER NOTE 4.
- 6) SYSTEM CONTROLLER IS NOT SHOWN.

SCALE	NTS	LAYOUT DRAWING	
DATE	04-14-15	C43 SERIES - TRIPLE DEMAND RECALL	
DRAWN	GAMatusin		
CHKD	GAM		
APPD.	GAM	DRAWING NO.	C43 TRIPLE DEMAND RECALL
		SHEET	1 OF 1
		REV.	1